

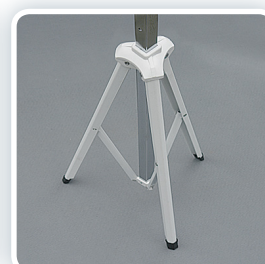
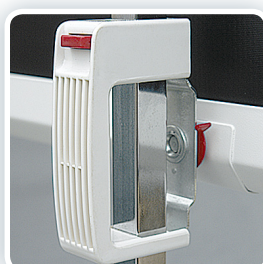
## PROFI portable projection screen on tripod

Description 2x3 Art. No: **ETPR**

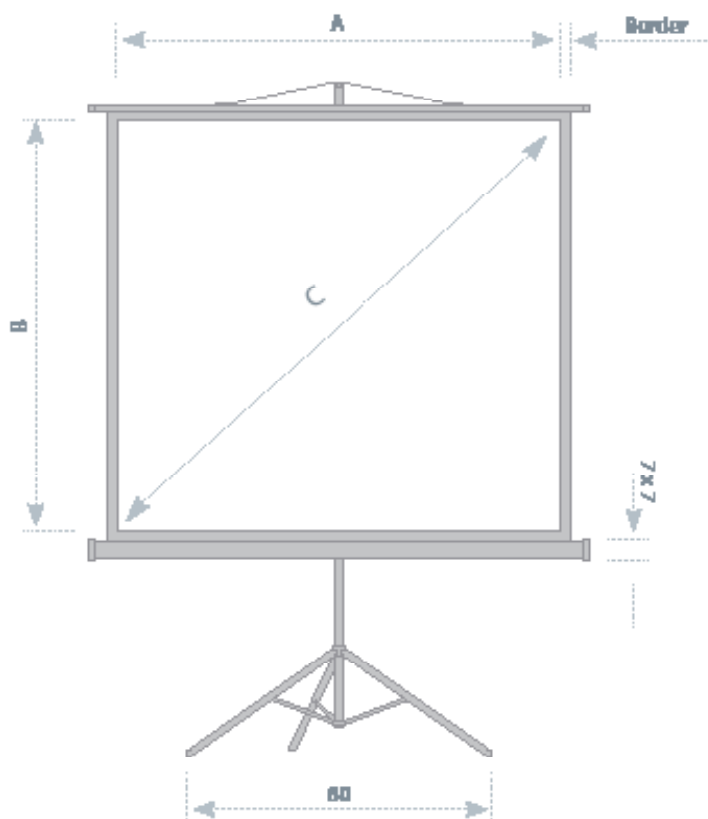
**Characteristics:** Most popular tripod screen. Strong top fixing. Matt white fabric. Foldable stand. Special locking for transport.

**Accessories:** assembly elements.

**Warranty:** 2 years.



PROFI portable projection screen on tripod					
Format 1:1					
2x3 Art. No		ETPR1212R	ETPR1515R	ETPR1818R	ETPR2020R
Dimensions [cm]	total	127×127	153×153	180×180	203×203
	workspace A×B	121×121	146×146	173×173	195×195
Diagonal [cm] (cal)		179 (70")	216 (85")	254 (100")	287 (113")
Black border [cm]		3			4
Side view [cm]		7×7			
Surface		PCV (Matt White)			
Weight [kg]		5,0	8,0	13,2	14,8
Warranty		2 years			
Parameters of the surface	Brightness scale	1,0-1,2 (DIN 19045)			
	Thickness [mm]	0,35			
	Front side	Matt White			
	Back side	black			
	Gain factor	1,0			
	Viewing angle	150°			


**2x3 S.A.**

73-231 Krzęcin, ul. Słoneczna 3, Polska

[i]: 801 23 00 23

[t]: +48 95 765 3848 [f]: +48 95 765 3850

[e]: info@2x3.pl [w]: www.2x3.eu



innovations in visual communication